

- Reclaim fiber with DWDM technology
- Eight-wavelength solution for network segmentation and fiber-deep applications
- LGX cassette for headend applications

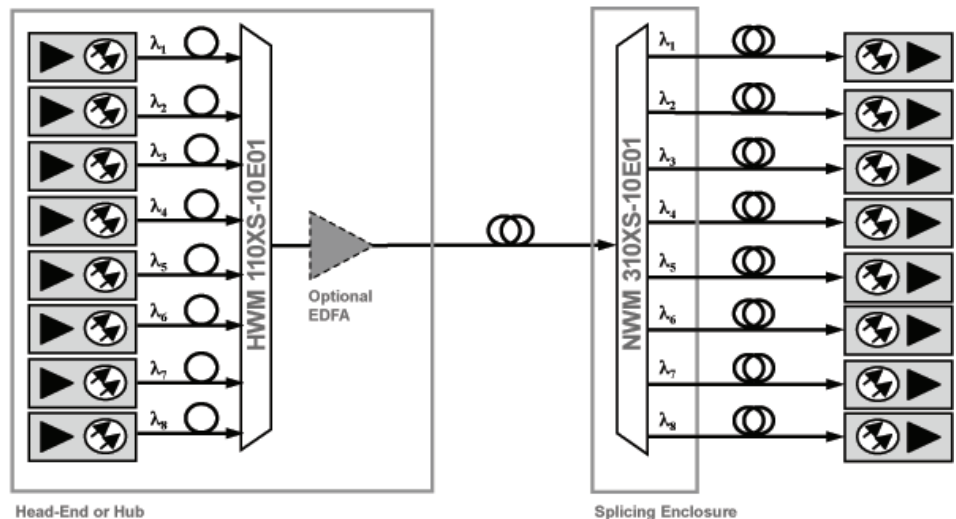
The HWM 1100S-10E01 is designed to operate with the SPL 7110S/T-EXX and the NWM 3100S-10E01 to transport up to eight wavelengths over a single fiber. This makes it possible to deliver significantly more bandwidth using the existing hybrid fiber-coaxial (HFC) cable network. Without adding new fibers, cable operators can use Harmonic's 1550nm forward path DWDM solution to combine up to eight wavelengths to deliver traffic to segmented nodes.

The HWM 1100S-10E01 family allows 2, 4, or 8 1550nm DWDM channels to be combined onto one fiber. The modules are designed to fit into the HLP 1000 platform (4 RU high, 12 single-width LGX modules). This enables a complete DWDM system solution to be implemented on a single platform.

**PRODUCT LINE STRUCTURE**

Configuration is determined as follows:

HWM 110xS-10E01-AS  
x = 2, 4, or 8 channels to be multiplexed



**Typical Application**

## TECHNICAL SPECIFICATIONS

Channels	HWM 1100S-10E01													
	1x2		1x4				1x8							
DWDM Ports	E01	E02	E01	E02	E03	E04	E01	E02	E03	E04	E05	E06	E07	E08
DWDM Port Insertion Loss <sup>1</sup> [dB]	1.5	1.1	2.3	1.9	1.5	1.1	3.9	3.5	3.1	2.7	2.3	1.9	1.5	1.1
Isolation Between Adjacent Channels	≥ 25 dB													
PDL	≤ 0.1 dB													
PMD	≤ 0.15 ps													
Return Loss	≥ 48 dB													
Power Handling	300 mW													
Connector Type	SC/APC, FC/APC, E2000													

Notes:

1. Insertion loss specification includes connectors

## ENVIRONMENTAL

Operating Temperature Range	-20° to +65° C -4° to +149° F
Storage Temperature Range	-40° to +85° C -40° to +185° F
Relative Humidity	Max 85%, non-condensing

## PHYSICAL DIMENSIONS

The HWM 1100S modules plug into the HLP platforms

1x2 and 1x4	1 slot in the HLP 1000 or HLP 1001
1x8	2 slots in the HLP 1000
Single Slot Dimension	3.88" D x 1.03" W x 3.95" H 9.86cm D x 2.62cm W x 10.0cm H