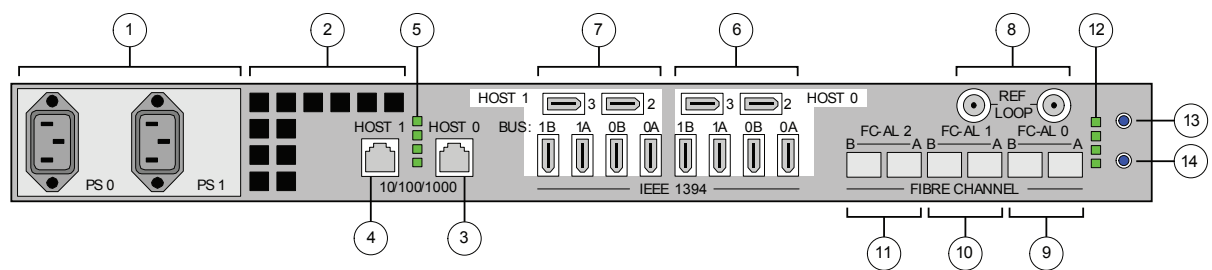


# MediaDirector 2101

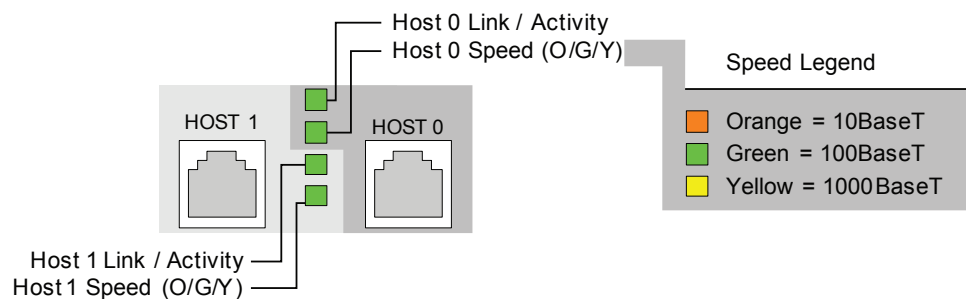
## Quick Reference Guide

### Rear Panel Components

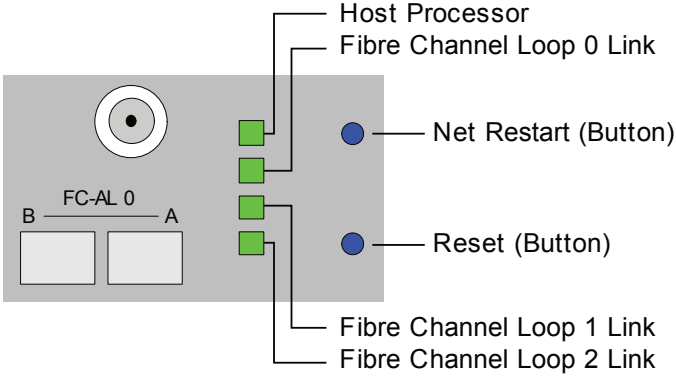


- |                            |                               |                               |
|----------------------------|-------------------------------|-------------------------------|
| 1 Redundant Power Supplies | 6 IEEE 1394 Ports, Host 0     | 11 Fibre Channel Loop 2 Ports |
| 2 Air Vents                | 7 IEEE 1394 Ports, Host 1     | 12 Fibre Channel Status LEDs  |
| 3 Ethernet Host 0          | 8 Reference Loop              | 13 Net Restart                |
| 4 Ethernet Host 1          | 9 Fibre Channel Loop 0 Ports  | 14 Reset                      |
| 5 Ethernet Status LEDs     | 10 Fibre Channel Loop 1 Ports |                               |

### Ethernet Status LEDs



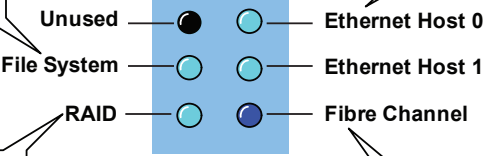
## Fibre Channel Status LEDs



## Front Panel Status LEDs

- Black** ● File system initialization not complete
- Dark Blue** ● (solid) File system (FS) started, read-only  
● (blink) FS present but halted
- Light Blue** ● (solid) FS started, read-write  
● (blink) No FS present

- Black** ● RAID system initialization not complete
- Green** ● (solid) rebuild(s) in progress
- Dark Blue** ● (solid) one or more RAID sets unprotected  
● (blink) RAID sets present no FS running
- Light Blue** ● (solid) All RAID sets are protected  
● (blink) FS not viable to start



- | For the indicated Ethernet Host |  |
|---------------------------------|--|
| <b>Black</b> ●                  | Ethernet initialization failure                  |
| <b>Dark Blue</b> ● (blink)      | Ethernet hardware or software failure            |
| <b>Light Blue</b> ● (solid)     | Ethernet communications OK<br>IP address present |
| <b>Light Blue</b> ● (blink)     | Ethernet com. problem                            |

- Dark Blue** ● (solid) disks present, FS running, EFS  
● (blink) F/C initialization in progress
- Light Blue** ● (solid) disks present, FS running, no EFS  
● (blink) F/C initialization complete, FS in progress
- Green/Yellow** ● (solid) F/C driver shut down  
● (blink) internal failure detected