



FLEXIBLE PATHWAYS TO PON & 10G BROADBAND

CableOS® is the only true, cloud-native and virtual PON solution providing a converged multi-access provider edge.



CONVERGE NETWORK ARCHITECTURES

The CableOS virtualized broadband platform supports multiple access technologies, including variants of PON (XGS-PON, EPON), Active Ethernet and HFC DOCSIS networks. Get common control, management and IP traffic forwarding with greater network reliability to enable secure network convergence using CableOS.

Deploy a truly cloud-native solution to scale up and out with unparalleled agility. The solution offers a flexible pricing model to help foster long-term and sustainable growth as your broadband business needs evolve.



EASE YOUR OPERATIONS

Leverage your existing infrastructures to add 10G PON services with minimal investment. CableOS uses a small form-factor 10G OLT optical module to transform remote PHY devices or 10G switch ports into a high-efficiency optical line terminal (OLT).

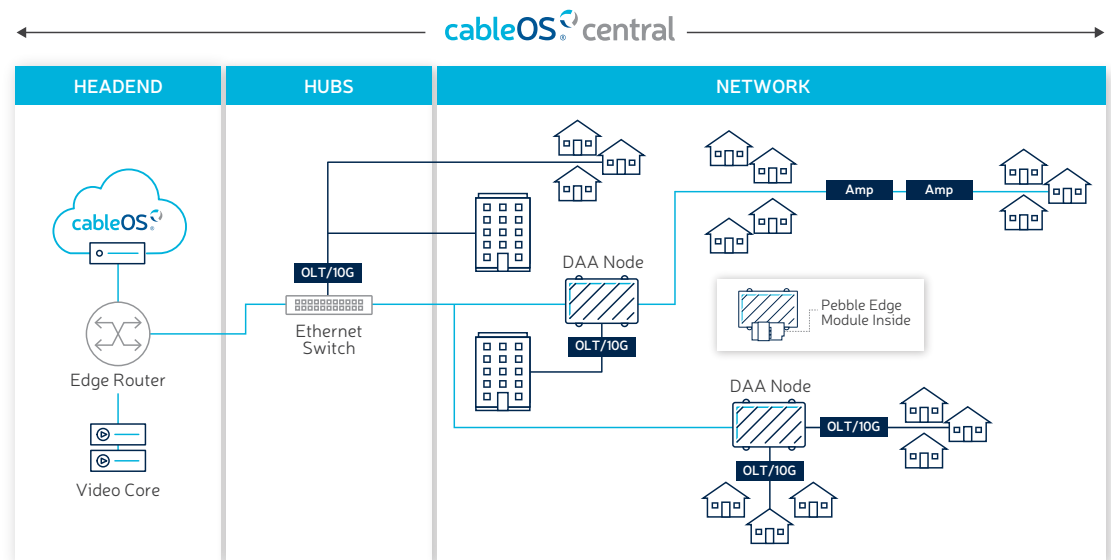
The CableOS PON solution supports a multi-vendor optical network terminal (ONT) eco-system for zero lock-in. Using the Harmonic virtual Broadband Provisioning Application (vBPA) you get flexible and scalable provisioning of IEEE and ITU-T PON services via DOCSIS, CLI, and standard NETCONF models to streamline network integration, accelerate service velocity, and reduce time to market.



ENHANCE NETWORK PERFORMANCE

Co-locate a powerful OLT module in your DAA Remote PHY or MAC-PHY device for increased network capacity and alleviate optical network unit (ONU) provisioning issues with the CableOS virtual PON solution.

CableOS is a high-performance, intelligent solution to help reduce service disruption and deliver a superior quality of experience to every rural, suburban and urban community you serve.



VIRTUAL PON SOLUTION POWERED BY CABLEOS

REDUCE YOUR COST OF OWNERSHIP

- Diminish power consumption and real-estate requirements.
- Deliver accelerated broadband speeds for the ultra-connected future.
- Increase time to market and provide revenue-driving services faster.
- Leverage interoperability for integration with existing infrastructures.
- Improve network reliability with non-stop data collection and analytics.

PROACTIVITY WITH DATA & ANALYTICS

Quickly respond to shifts in usage for high-bandwidth applications and engage with a team of domains experts that continuously review data from the access network to drive your corrective activities. Enrich your NOC environment with metrics, dashboards and alerts using ultra-modern, intelligent features.



TRUE CLOUD-NATIVE AGILITY.

Accelerated feature rollout to scale up & out.

Scale subscribers, bandwidth, IP addresses and network functions independent of each other with higher uptime and a common, converged virtual platform for PON, FWA and DOCSIS. Get a flexible solution to quickly scale across multiple dimensions.



GREEN & LEAN OPERATIONS.

Expand network capacity as you sustainably grow.

A virtualized cloud native solution is your first step to eliminate hardware constraints and generate up to 75% savings on space, power, cooling and cabling. CableOS is a high-efficiency, powerful solution to bring the highest level of service quality to every community you serve.



SUPERIOR QUALITY OF EXPERIENCE.

Maximize performance across the network.

The SFP+ based OLT provides a straightforward path to add PON services. Deploy the solution in a high-density centralized architecture, or in a distributed architecture. Your PON upgrades are seamless to ensure the best service quality in both rural and urban areas.



UNRIVALED SUPPORT.

Trusted experience working for you around the clock.

Agile-based DevOps gives you the newest feature sets with 24/7 access to support and services that leverage data-rich analytics for unparalleled network visibility. You can launch your new services and maintain legacy capabilities with total confidence.



INCREASED NETWORK VISIBILITY.

Refine your access network inside & out.

An intelligent, customizable and centralized set of tools gives you data-driven knowledge from edge to end. React fast to changing subscriber demands to proactively resolve issues and identify capacity opportunities before they occur. Our years of field experience are at your fingertips.



MULTI-VENDOR INTEROPERABILITY.

Agnostic and standard compliant.

CableOS is industry-standard compliant and can leverage existing infrastructures to minimize hardware investments. Get a turnkey solution that supports third-party components to reduce vendor dependency and improve total cost of ownership.