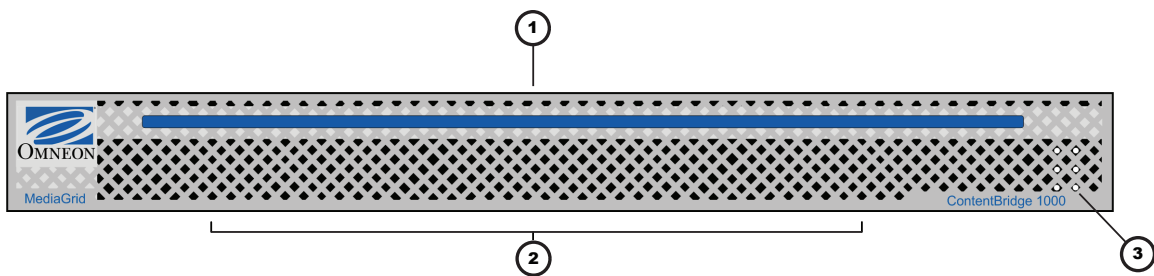


# Omneon MediaGrid ContentBridge 1000B

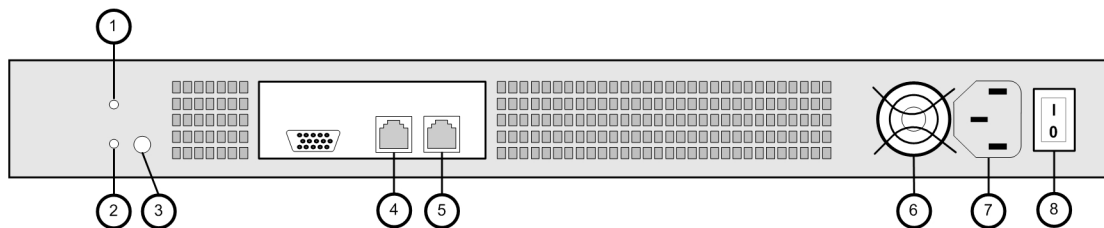
## Quick Reference Guide

### Front Panel Components



- 1 Power Indicator/Wink
- 2 Air Vents
- 3 Status LEDs





### Rear Panel Components

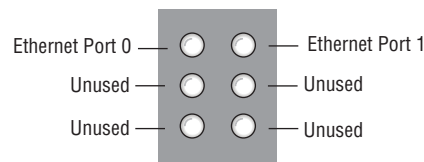


- |                     |                   |
|---------------------|-------------------|
| 1 Reset Button      | 5 Ethernet Port 1 |
| 2 Soft Power Button | 6 Unit Fan        |
| 3 Wink LED          | 7 50/60 Hz Power  |
| 4 Ethernet Port 0   | 8 Power Switch    |

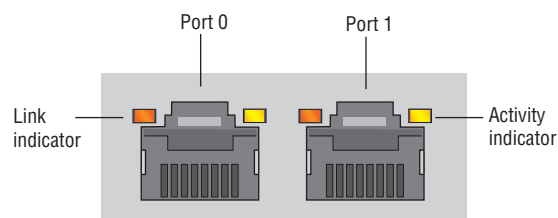
## Front Panel LEDs







### For the indicated Ethernet port

- Off**  Power off
- White**  (Solid) Online  
(Blink) Active network port
- Blue**  (Blink) ContentBridge cannot download its configuration file from ContentDirector
- Red**  Ethernet link problem



## Back Port LEDs



LED	LED State	NIC State
Link (Left)	 Off	Power off, network cables unplugged
	 Green (solid)	Power off, network cables plugged in; active connection at 100 Mb/s
	 Amber (solid)	Power on, network cables plugged in; active connection at 1 Gb/s
Activity (Right)	 Off	Power off, network cables unplugged
	 Yellow (solid)	Power on, active connection
	 Yellow (blink)	Power on, network data being sent or received