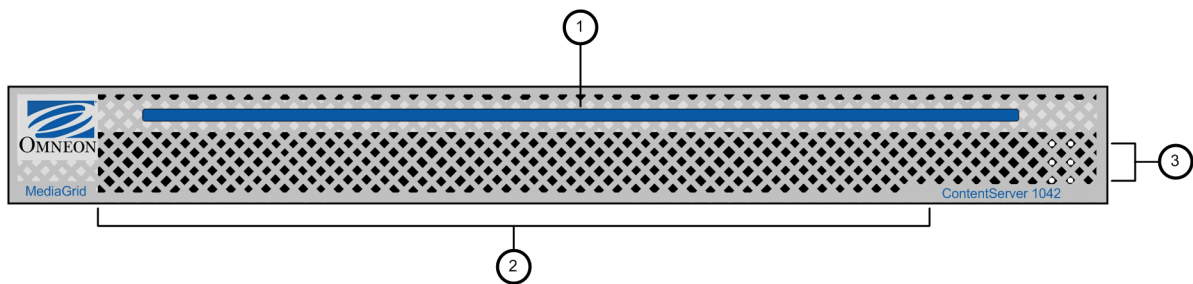


Omneon MediaGrid ContentServer 1042B

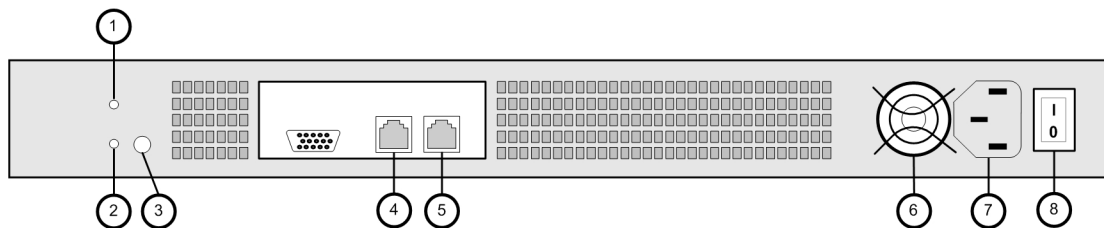
Quick Reference Guide

Front Panel Components



- 1 Power Indicator/Wink
- 2 Air Vents
- 3 Status LEDs





Rear Panel Components






- | | |
|---------------------|-------------------|
| 1 Reset Button | 5 Ethernet Port 1 |
| 2 Soft Power Button | 6 Unit Fan |
| 3 Wink LED | 7 50/60 Hz Power |
| 4 Ethernet Port 0 | 8 Power Switch |

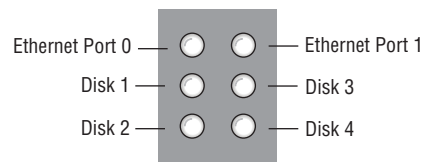
Front Panel LEDs

For the indicated Ethernet port

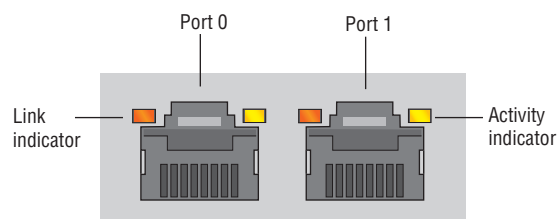
- Off**  Power off
- White**  (Solid) Online
(Blink) Active network port
- Blue**  (Blink) ContentServer cannot download its configuration file from ContentDirector
- Red**  Ethernet link problem







For the indicated disk drives

- Off**  Power off
- White**  (Solid) Normal state; disk online
(Blink) Read/write activity
- Red**  Disk offline, may be unmounted or inactive; drive failure



Back Port LEDs



LED	LED State	NIC State
Link (Left)	 Off	Power off, network cables unplugged
	 Green (solid)	Power off, network cables plugged in; active connection at 100 Mb/s
	 Amber (solid)	Power on, network cables plugged in; active connection at 1 Gb/s
Activity (Right)	 Off	Power off, network cables unplugged
	 Yellow (solid)	Power on, active connection
	 Yellow (blink)	Power on, network data being sent or received