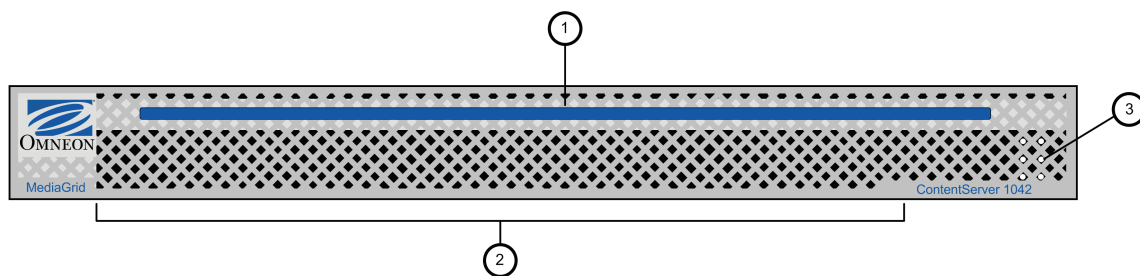


Omneon MediaGrid ContentServer 1042C-DP

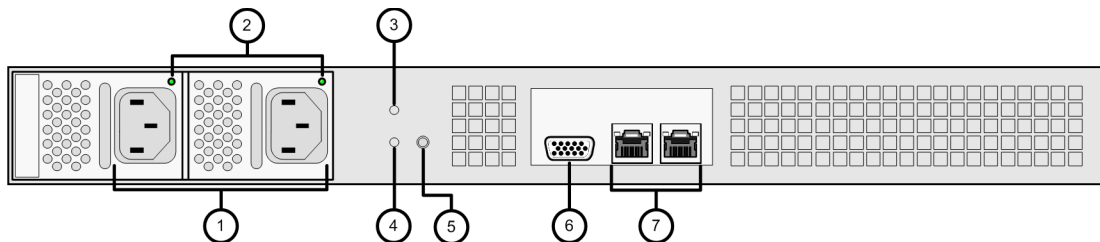
Quick Reference Guide

Front Panel Components



- 1 Power Indicator/Wink
- 2 Air Vents
- 3 Status LEDs





Rear Panel Components






- 1 Power Supplies (2)
- 2 Power Supply Status LED
- 3 Reset Button
- 4 Soft Power Button
- 5 Wink LED
- 6 Video Connector
- 7 Ethernet Ports (L=0, R=1)

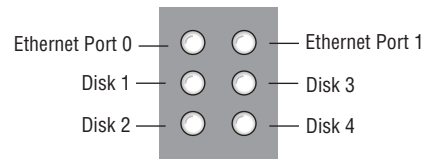
Front Panel LEDs

For the indicated Ethernet port

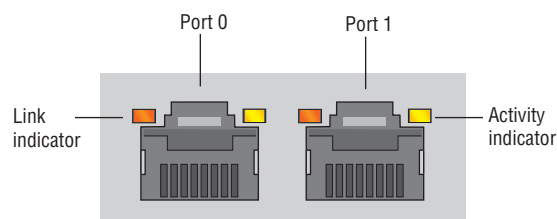
- Off**  Power off
- White**  (Solid) Online
(Blink) Active network port
- Blue**  (Blink) ContentServer cannot download its configuration file from ContentDirector
- Red**  Ethernet link problem







For the indicated disk drives

- Off**  Power off
- White**  (Solid) Normal state; disk online
(Blink) Read/write activity
- Red**  Disk offline, may be unmounted or inactive; drive failure



Ethernet Port LEDs



LED	LED State	NIC State
Link (Left)	 Off	Power off, network cables unplugged
	 Green (solid)	Power off, network cables plugged in; active connection at 100 Mb/s
	 Amber (solid)	Power on, network cables plugged in; active connection at 1 Gb/s
Activity (Right)	 Off	Power off, network cables unplugged
	 Yellow (solid)	Power on, active connection
	 Yellow (blink)	Power on, network data being sent or received