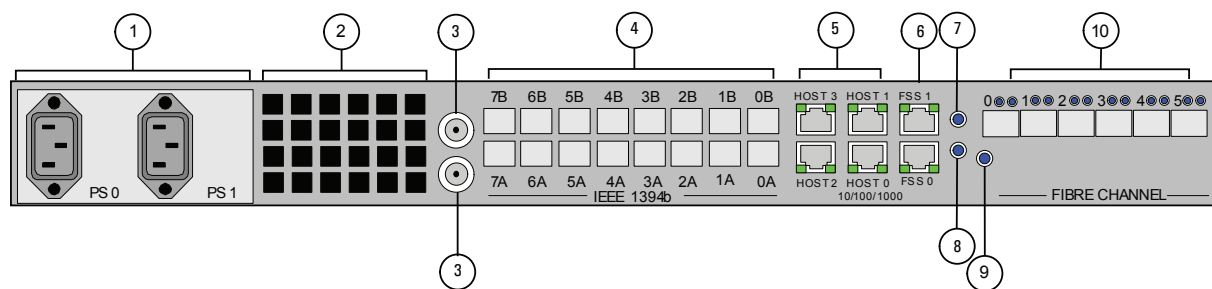


MediaDirector 2102B

Quick Reference Guide

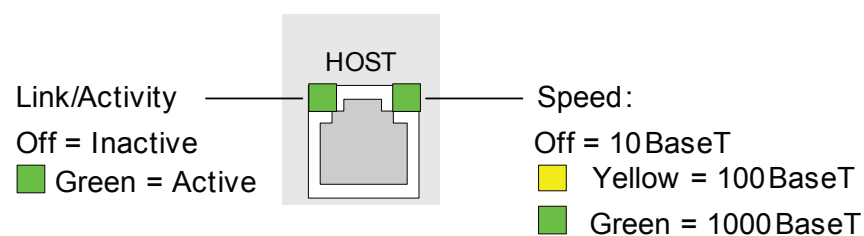
Rear Panel Components



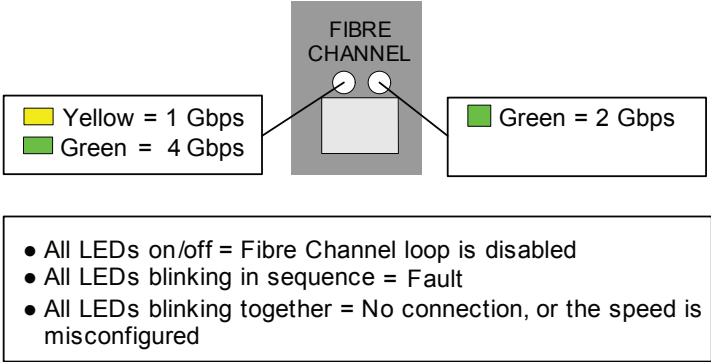
- | | |
|------------------------------------|--|
| 1 Redundant Power Supplies | 6 File System Server (FSS) Ports (0-1)* |
| 2 Air Vents (do not block) | 7 Net Boot Button |
| 3 Reference Loop | 8 Reset Button |
| 4 IEEE 1394 Ports (0A — 7B) | 9 Wink LED |
| 5 Ethernet Hosts 0-3 & Status LEDs | 10 Fibre Channel Loops 0-5 & Associated LEDs |

* For factory test and diagnostic only

Ethernet Status LEDs



Fibre Channel Loops 0-5 Status LEDs



Front Panel Status LEDs

