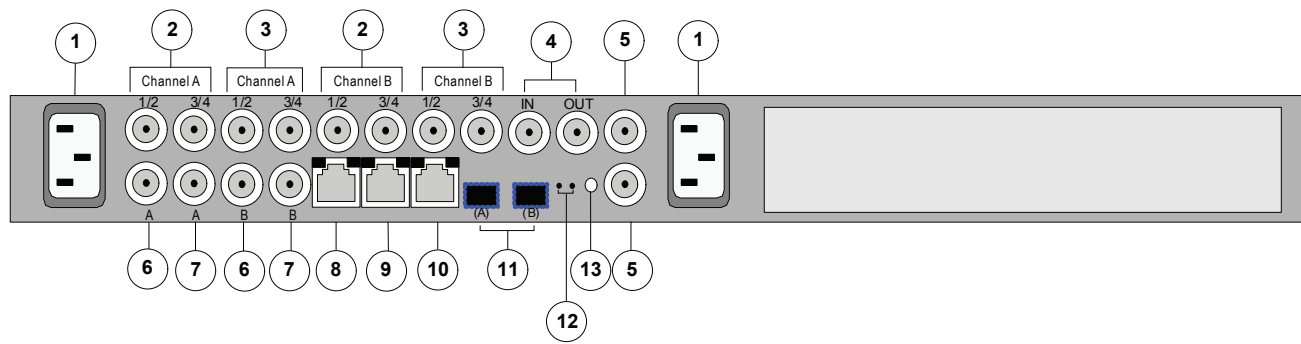


# 5220 Series MPEG-2 SD MediaPort

## MediaPort 5221 (Single Module) and MediaPort 5222 (Dual Module)

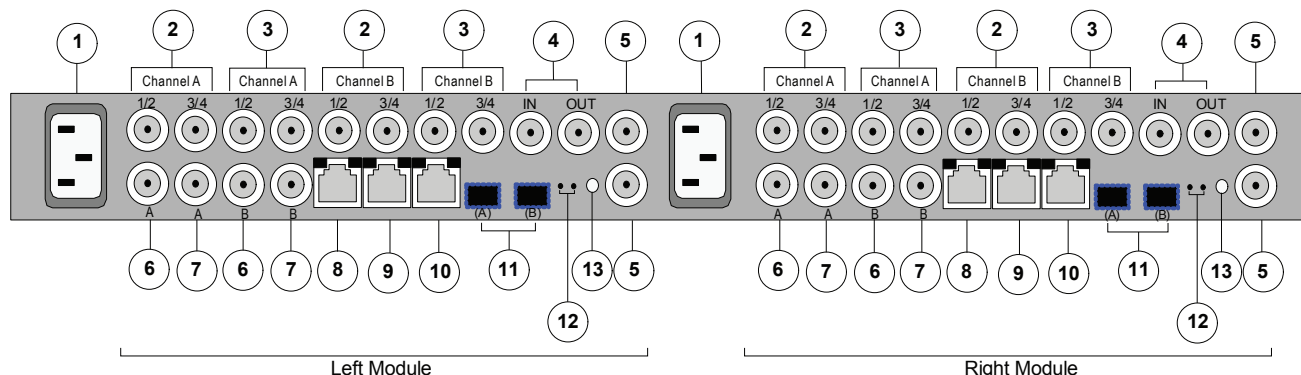
### Quick Reference Guide

#### MediaPort 5221 Rear Panel Components



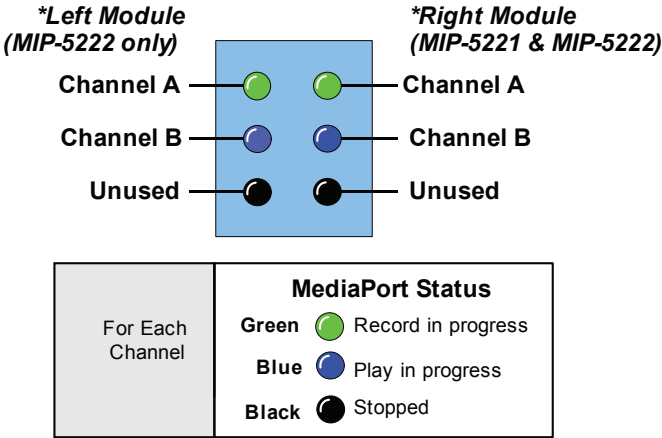
- |                              |   |   |
|------------------------------|---|---|
| 1 Redundant Power Supply     | 6 SD SDI Video IN Channel A , B             | 11 IEEE 1394b (to MediaDirector 2102, 2102, or 2102B) |
| 2 AES Audio IN Channel A, B  | 7 SD SDI Video OUT Channel A, B             | 12 Net Restart (left), Reset (right)                  |
| 3 AES Audio OUT Channel A, B | 8 RS-422 Port Video Channel A               | 13 Wink LED   |
| 4 LTC (Timecode) Group       | 9 RS-422 Port Video Channel B               |   |
| 5 Reference Loop             | 10 Ethernet (to MediaDirector 2201 or 2202) |   |

#### MediaPort 5222 Rear Panel Components



- |                              |   |   |
|------------------------------|---|---|
| 1 Redundant Power Supply     | 6 SD SDI Video IN Channel A , B             | 11 IEEE 1394b (to MediaDirector 2102, 2102, or 2102B) |
| 2 AES Audio IN Channel A, B  | 7 SD SDI Video OUT Channel A, B             | 12 Net Restart (left), Reset (right)                  |
| 3 AES Audio OUT Channel A, B | 8 RS-422 Port Video Channel A               | 13 Wink LED   |
| 4 LTC (Timecode) Group       | 9 RS-422 Port Video Channel B               |   |
| 5 Reference Loop             | 10 Ethernet (to MediaDirector 2201 or 2202) |   |

## Front Panel Status LEDs



\* As viewed from the front of the unit

## Back Panel RS-422 Activity LEDs

