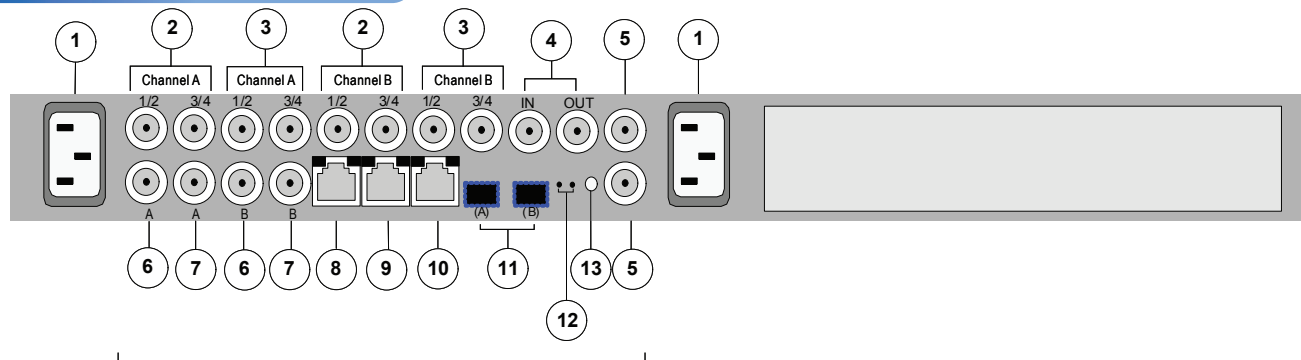


5320 Series MPEG-2 HD/SD MediaPorts

MediaPort 5321 (Single Module), MediaPort 5322 (Dual Module)

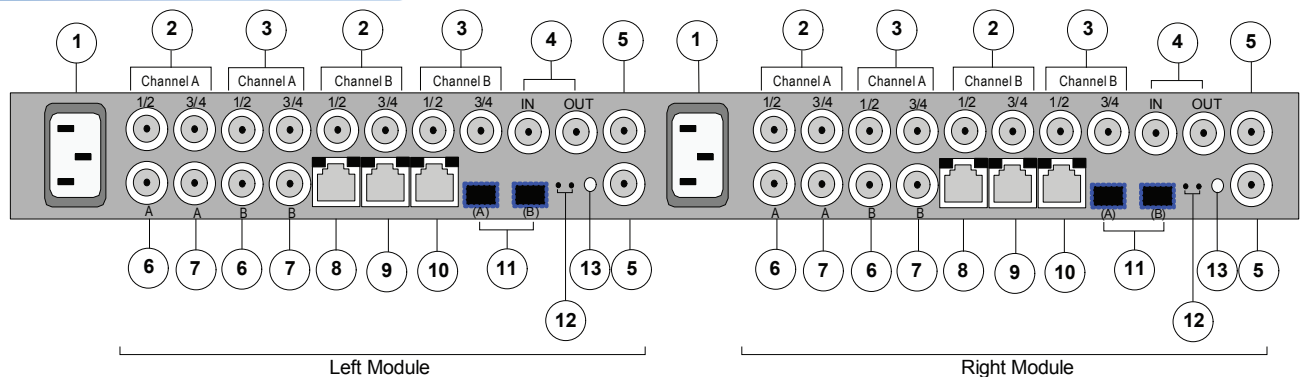
Quick Reference Guide

MediaPort 5321 Rear Panel Components



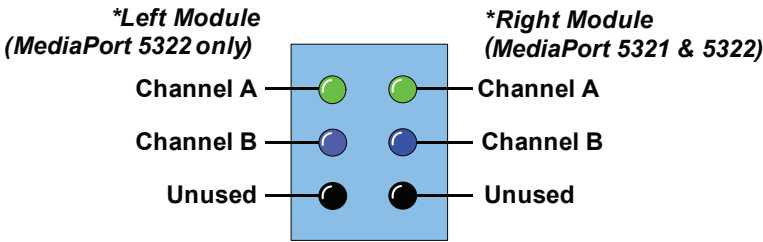
- | | | |
|------------------------------|---|---|
| 1 Redundant Power Supplies | 6 HD or SD SDI Video IN Channel A, B | 11 IEEE 1394b (to MediaDirector 2102, 2102, or 2102B) |
| 2 AES Audio IN Channel A, B | 7 HD or SD SDI Video OUT Channel A, B | 12 Net Restart (left), Reset (right) |
| 3 AES Audio OUT Channel A, B | 8 RS-422 Port Video Channel A | 13 Wink LED |
| 4 LTC (Timecode) Group | 9 RS-422 Port Video Channel B | |
| 5 Reference Loop | 10 Ethernet (to MediaDirector 2201 or 2202) | |




MediaPort 5322 Rear Panel Components



- | | | |
|------------------------------|---|---|
| 1 Redundant Power Supplies | 6 HD or SD SDI Video IN Channel A, B | 11 IEEE 1394b (to MediaDirector 2102, 2102, or 2102B) |
| 2 AES Audio IN Channel A, B | 7 HD or SD SDI Video OUT Channel A, B | 12 Net Restart (left), Reset (right) |
| 3 AES Audio OUT Channel A, B | 8 RS-422 Port Video Channel A | 13 Wink LED |
| 4 LTC (Timecode) Group | 9 RS-422 Port Video Channel B | |
| 5 Reference Loop | 10 Ethernet (to MediaDirector 2201 or 2202) | |

Front Panel Status LEDs



MediaPort Status	
For Each Channel	Green  Record in progress
	Blue  Play in progress
	Black  Stopped

* As viewed from the front of the unit

Rear Panel RS-422 Activity LEDs

