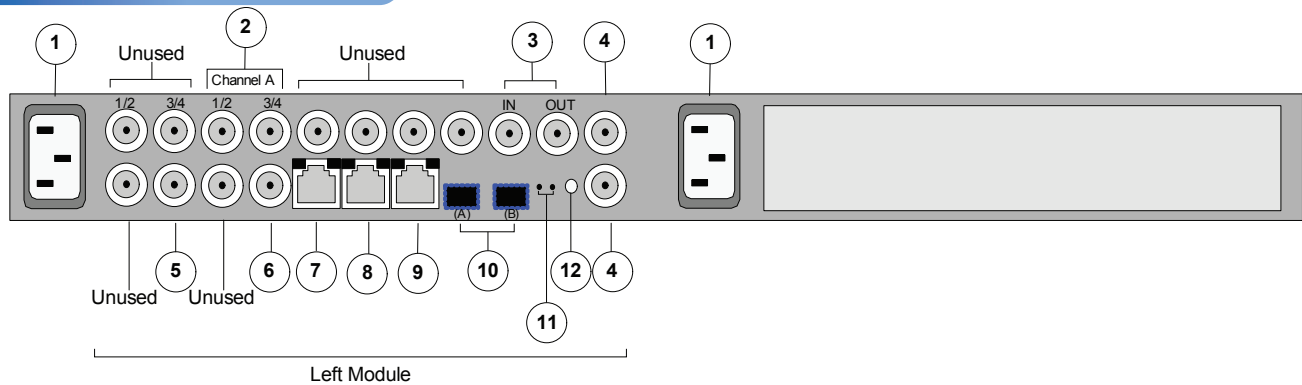


5400 Series MPEG-2/DV MediaPort HD and SD Simulcast Playback with Up and Down Conversion MediaPorts

MediaPort 5401 (Single Module), MediaPort 5402 (Dual Module)

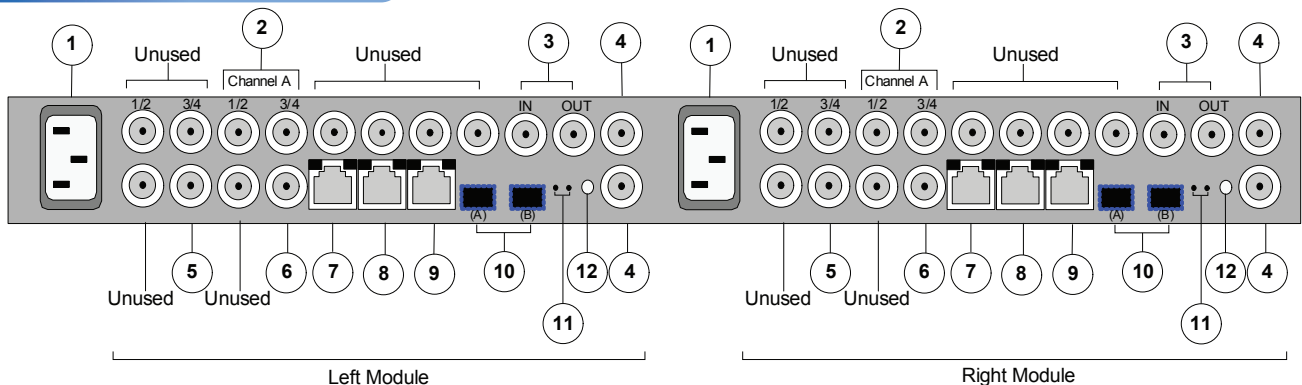
Quick Reference Guide

MediaPort 5401 Rear Panel Components



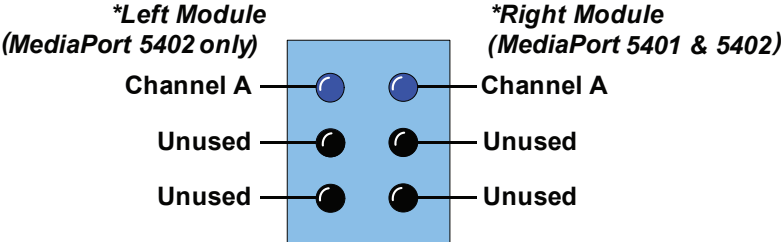
- | | | |
|----------------------------|------------------------------|---|
| 1 Redundant Power Supplies | 5 HD SDI Video OUT Channel A | 9 Ethernet (to MediaDirectors 2201, 2202) |
| 2 AES Audio OUT Channel A | 6 SD SDI Video OUT Channel A | 10 IEEE 1394b (to MediaDirectors 2100, 2101, 2102B) |
| 3 LTC (Timecode) Group | 7 RS-422 Port Channel A | 11 Net Restart (left), Reset (right) |
| 4 Reference Loop | 8 RS-422 Port (Unused) | 12 Wink LED |



MediaPort 5402 Rear Panel Components



- | | | |
|----------------------------|------------------------------|---|
| 1 Redundant Power Supplies | 5 HD SDI Video OUT Channel A | 9 Ethernet (to MediaDirectors 2201, 2202) |
| 2 AES Audio OUT Channel A | 6 SD SDI Video OUT Channel A | 10 IEEE 1394b (to MediaDirectors 2100, 2101, 2102B) |
| 3 LTC (Timecode) Group | 7 RS-422 Port Channel A | 11 Net Restart (left), Reset (right) |
| 4 Reference Loop | 8 RS-422 Port (Unused) | 12 Wink LED |

Front Panel Status LEDs



MediaPort Status	
For Each Channel	Blue  Play in progress
	Black  Stopped

* As viewed from the front of the unit

Rear Panel RS-422 Activity LEDs

