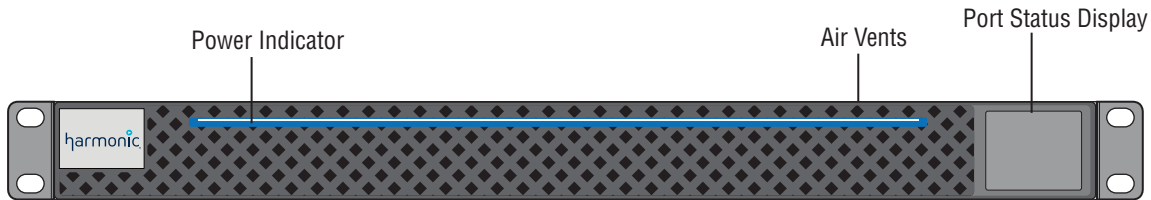


MediaPort 7000 Series Quick Reference Guide

MediaPort Chassis (MPC-7002) Bezel

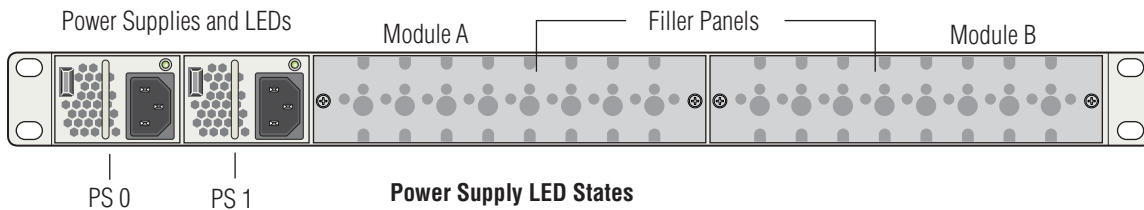


NOTE: Alarms will cause the display to flash. To stop flashing, resolve the alarm or touch the display.

The Port Status Display allows you to enable the display of a static color bar pattern on any or all of the SDI Output connectors, which can be used to verify connectivity. For more details, refer to “MediaPort 7000 Series Front Panel” in the *Spectrum Installation and Hardware Reference Guide*.

Port Status Display		
Status of Module A	Health Summary	Reference Input
	Channel 0: Player name, Player state, and timecode	
	Channel 1: Player name, Player state, and timecode	
	Environmental alarms, if any	
Status of Module B	Health Summary	Reference Input
	Channel 0: Player name, Player state, and timecode	
	Channel 1: Player name, Player state, and timecode	
	Environmental alarms, if any	

MediaPort Chassis Rear Panel



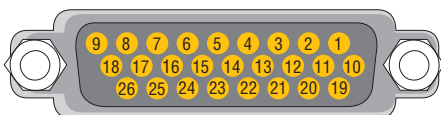
Power Supply LED States

- Off: No AC power to both units
 - Green (blink): AC power present, unit on standby
 - Green (solid): Power supply on and OK
 - Red (blink): No AC power to this unit only
 - Red (solid): Power supply failure
- NOTE:** When a power supply fails, an audible alarm sounds.

GPIO/Signal Assignments

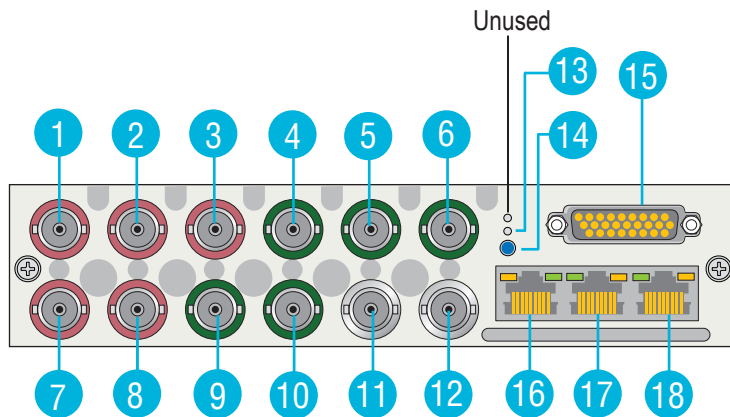
The MediaPort 7000 module has a female GPIO connector that can be connected to an external device and used to control players.

For information on configuring GPIO using SystemManager, refer to “MediaPort Configuration” in the *Harmonic SystemManager User Guide*.

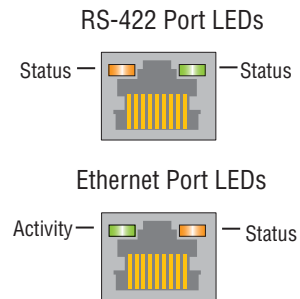


GPIO Signals	
Function	Pin
Ground	18
GPIO 0	19
GPIO 1	20
GPIO 2	21
GPIO 3	22
GPIO 4	23
GPIO 5	24
GPIO 6	25
GPIO 7	26

MediaPort Modules 7000 Series Rear Panel



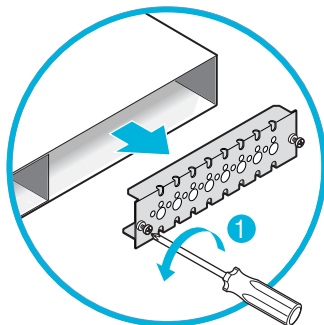
- | | | |
|--|-----------------------|--------------------------------|
| 1. HD/SD SDI IN Channel A | 7. LTC IN Channel A | 13. Soft Power button (middle) |
| 2. HD/SD SDI OUT Channel A (Primary) | 8. LTC OUT Channel A | 14. Status/Wink LED (bottom) |
| 3. HD/SD SDI OUT Channel A (Secondary) | 9. LTC IN Channel B | 15. GPIO/RS-422 connector |
| 4. HD/SD SDI IN Channel B | 10. LTC OUT Channel B | 16. RS-422 Port |
| 5. HD/SD SDI OUT Channel B (Primary) | 11. Reference IN | 17. Service Use Only |
| 6. HD/SD SDI OUT Channel B (Secondary) | 12. Reference Loop | 18. Ethernet/MediaDirector |



Installing a MediaPort Module

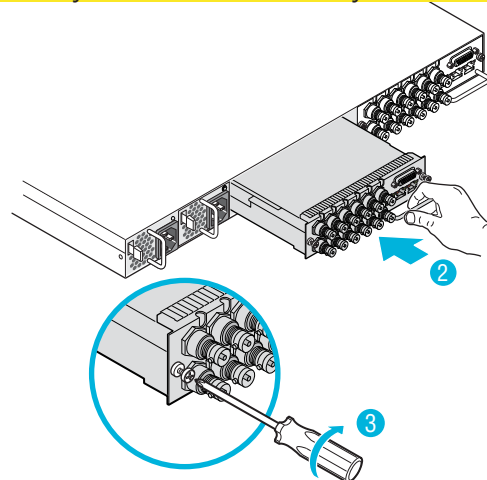
To install a MediaPort module:

1. If you are installing two modules, you may need to first remove a filler panel from the chassis. From the rear of the MediaPort, unscrew the two lock screws that secure the filler panel, and then remove the filler panel.



2. Grasp the module handle and push firmly into the slot. Ensure the module is fully inserted by pressing on the connectors with the palm of your hand.
3. Tighten the two lock screws on the rear of the module to secure it to the chassis.

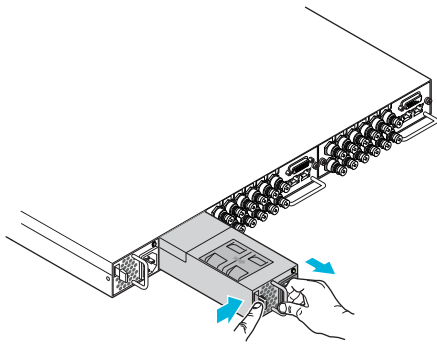
Caution: Do not use the two lock screws on the rear panel of the module to pull it into position. Tighten the screws only after the module is fully inserted.



4. If installing two modules, repeat steps 1-3 for the second module.

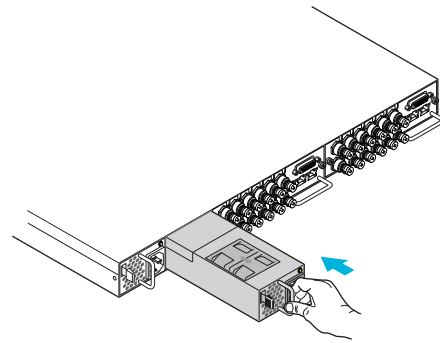
For complete replacement instructions, refer to the *Spectrum Component Replacement Guide*.

Replacing a MediaPort Chassis Power Supply



To remove a power supply:

1. Disconnect the AC power cable.
2. Press the release lever to the right and pull the handle to remove the power supply.

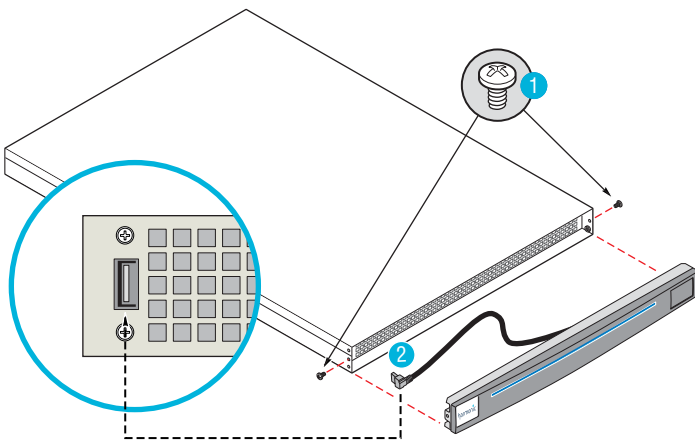


To install a new power supply:

1. Grasp the module handle and push firmly into the slot.
2. Connect the AC power cable.

For complete replacement instructions, refer to the *Spectrum Component Replacement Guide*.

Removing and Replacing a MediaPort Chassis Front Bezel



To remove the bezel:

1. Remove the center screws on each side of the chassis that secure the bezel to the chassis.
- Note:** Keep the rack ear in place.
2. Unplug the bezel power/data connector.
 3. Pull the bezel away from the chassis.

To install the new bezel:

1. Attach the bezel power/data connector.
2. Align the bezel in front of the chassis so that the logo appears in the top-left corner, and the metal corners of the bezel are level with the rack ears of the chassis.
3. Press the bezel straight onto the chassis.
4. Attach the two center screws on each side of the chassis to secure the bezel to the chassis.

For complete replacement instructions, refer to the *Spectrum Component Replacement Guide*.

The following table shows available MediaPort 7000 Series module options.

Model Number	H.264 Proxy	MPEG-2		DV/DVCPRO		AVC-Intra		VC-3		ProRes
		Rec	Play	Rec	Play	Rec	Play	Rec	Play	Play
MIP-7100		X	X	X	X			X	X	X
MIP-7101	X	X	X	X	X			X	X	X
MIP-7300		X	X	X	X			X	X	X
MIP-7301	X	X	X	X	X			X	X	X
MIP-7600		X	X	X	X	X	X	X	X	X
MIP-7601	X	X	X	X	X	X	X	X	X	X

The MediaPort 7000 series provides a number of licensed features including all Spectrum-supported video formats, H.264 Proxy, Up/Down/Cross Conversion, and HD/SD Simulcast.

For information on licensed features, refer to “MediaPort 7000 Series Reference” in the *Spectrum Installation and Hardware Reference Guide*.