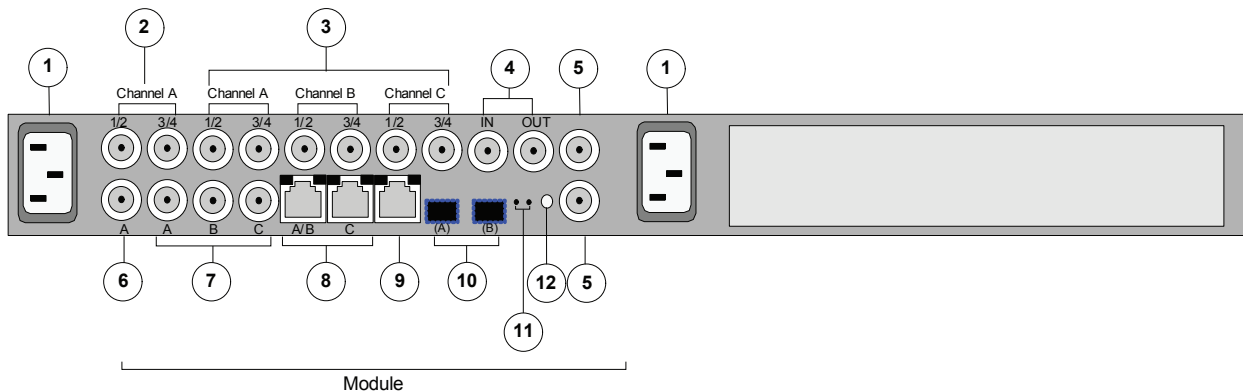


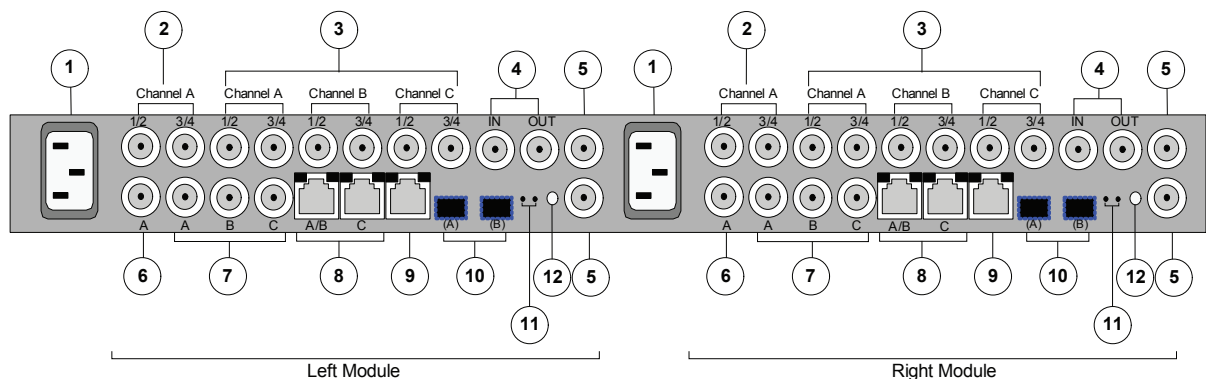
5000 Series Multichannel SD MediaPort - MediaPort 5001 (Single Module) MediaPort 5002 (Dual Module) *Quick Reference Guide*

MediaPort 5001 Rear Panel Components



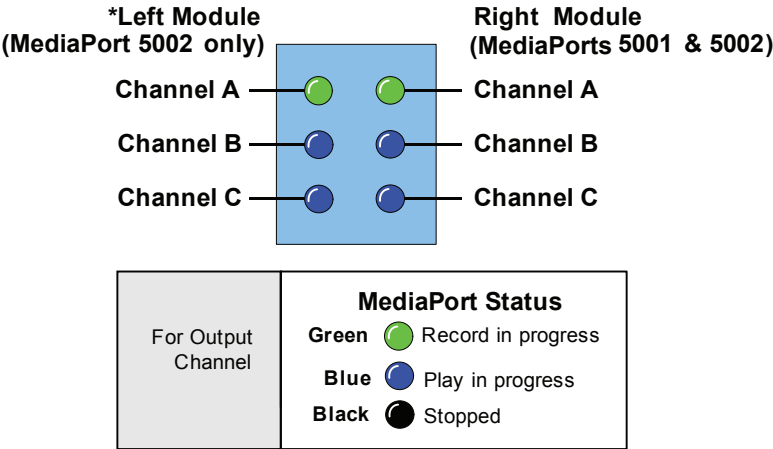
- | | | |
|---------------------------------|---------------------------------|--|
| 1 Redundant Power Supplies | 5 Reference Loop | 9 Ethernet (to MediaDirectors 2201 or 2202) |
| 2 AES Input Group Channel A | 6 SD SDI Video IN Channel A | 10 IEEE 1394b (to MediaDirectors 2100, 2101, or 2102B) |
| 3 AES Output Group Channels A-C | 7 SD SDI Video OUT Channels A-C | 11 Net Restart (left), Reset (right) |
| 4 LTC (Timecode) Group | 8 RS-422 Ports A-C | 12 Wink LED |

MediaPort 5002 Rear Panel Components



- | | | |
|---------------------------------|---------------------------------|--|
| 1 Redundant Power Supplies | 5 Reference Loop | 9 Ethernet (to MediaDirectors 2201 or 2202) |
| 2 AES Input Group Channel A | 6 SD SDI Video IN Channel A | 10 IEEE 1394b (to MediaDirectors 2100, 2101, or 2102B) |
| 3 AES Output Group Channels A-C | 7 SD SDI Video OUT Channels A-C | 11 Net Restart (left), Reset (right) |
| 4 LTC (Timecode) Group | 8 RS-422 Ports A-C | 12 Wink LED |

Front Panel Status LEDs



* As viewed from the front of the unit

Rear Panel RS-422 Activity LEDs

