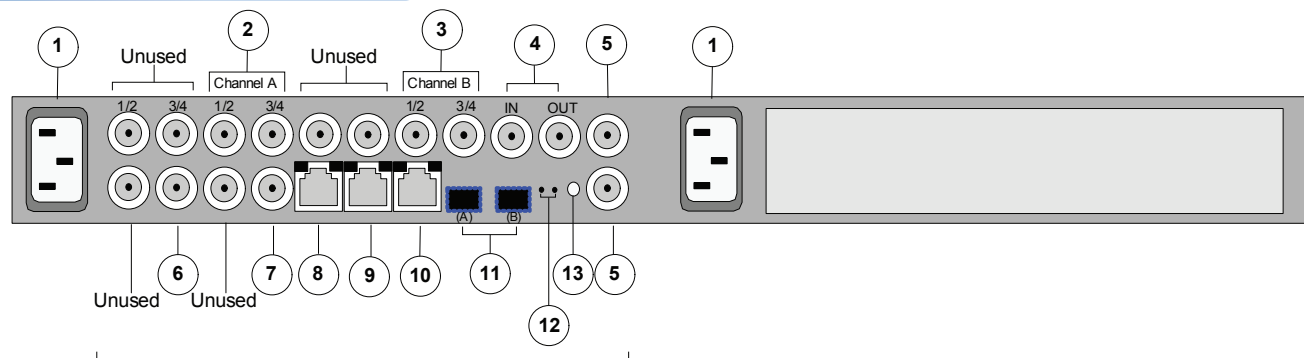


# 5500 Series MPEG-2/DV MediaPorts

## MediaPort 5501 (Single Module), MediaPort 5502 (Dual Module)

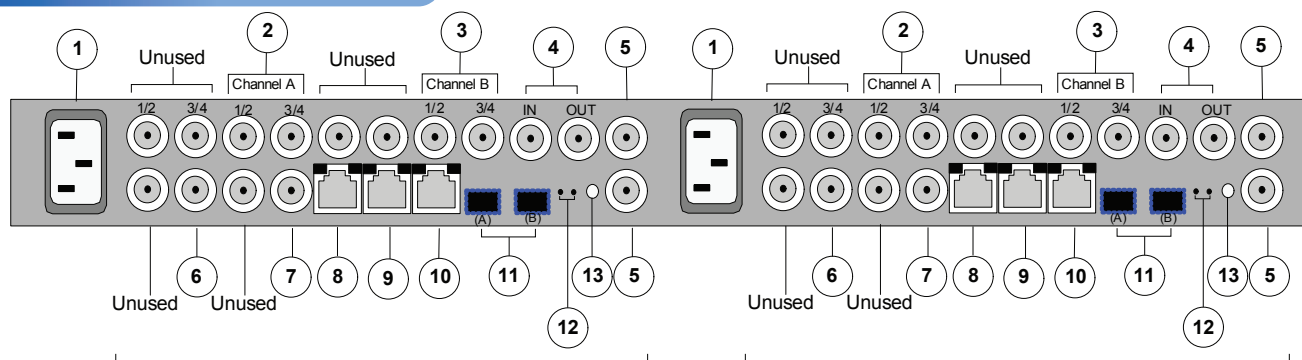
### Quick Reference Guide

#### MediaPort 5501 Rear Panel Components



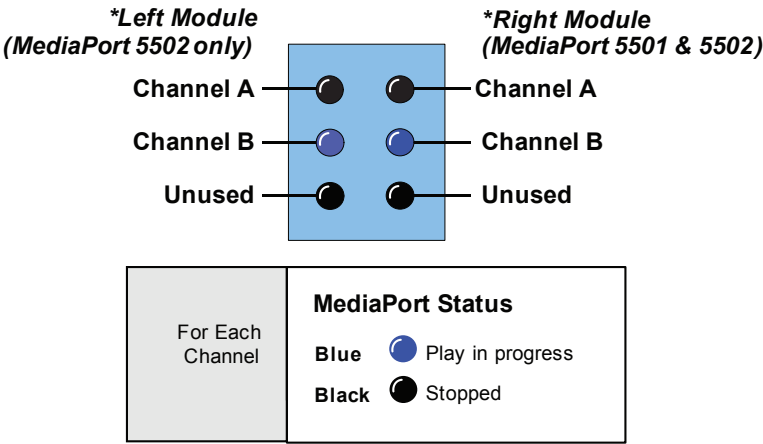
- |                            |   |   |
|----------------------------|---|---|
| 1 Redundant Power Supplies | 6 HD or SD SDI Video OUT Channel A          | 11 IEEE 1394b (to MediaDirector 2100, 2101, or 2102B) |
| 2 AES Audio OUT Channel A  | 7 HD or SD SDI Video OUT Channel B          | 12 Net Restart (left), Reset (right)                  |
| 3 AES Audio OUT Channel B  | 8 RS-422 Port Video Channel A               | 13 Wink LED   |
| 4 LTC (Timecode) Group     | 9 RS-422 Port Video Channel B               |   |
| 5 Reference Loop           | 10 Ethernet (to MediaDirector 2201 or 2202) |   |

#### MediaPort 5502 Rear Panel Components



- |                            |   |   |
|----------------------------|---|---|
| 1 Redundant Power Supplies | 6 HD or SD SDI Video OUT Channel A          | 11 IEEE 1394b (to MediaDirector 2100, 2101, or 2102B) |
| 2 AES Audio OUT Channel A  | 7 HD or SD SDI Video OUT Channel B          | 12 Net Restart (left), Reset (right)                  |
| 3 AES Audio OUT Channel B  | 8 RS-422 Port Video Channel A               | 13 Wink LED   |
| 4 LTC (Timecode) Group     | 9 RS-422 Port Video Channel B               |   |
| 5 Reference Loop           | 10 Ethernet (to MediaDirector 2201 or 2202) |   |

## Front Panel Status LEDs



\* As viewed from the front of the unit

## Rear Panel RS-422 Activity LEDs

